

ez-SHV+

SDI to HDMI Converter with Display and Scaler

Operation manual

Copy Rights
Copyright © 2006-2020 LUMANTEK Co., Ltd.
All Rights Reserved

This document contains information that is proprietary to LUMANTEK. CO., LTD. The information in this document is believed to be accurate and reliable; however, LUMANTEK assumes no responsibility or liability for any errors or inaccuracies that may appear in this document, nor for any infringements of patents or other rights to third parties resulting from its use.

This publication may contain technical issues, inaccurate information or typos. These will be revised in revised edition, if there is any. No part of this publication is subject to be reproduced, stored in retrieval system, or transmitted in any forms, or any means without the prior consent by Lumantek.

Trademarks

HD ENCODULATOR TM, SD ENCODULATOR TM LUMANTEK Logo, Mega CruiserTM, ORIXTM, X-CruiserTM, DTA-PlusTM, Media BlasterTM, are Trademarks of Lumantek. Co., Ltd.

Any other trademarks than stated above in this document belongs to its pertinent corporation.

Warranty Period

Lumantek's products comes with One(1) year limited warranty. Please contact below if you need more information.

LUMANTEK CUSTOMER SERVICES

gs@lumantek.com

TEL: +82-2-6947-7429

FAX: +82-2-6947-7440

01. ez-SHV+

(SDI to HDMI Converter with Display and Scaler)

Lumantek's ez-SHV+ is an SDI to HDMI converter with Display and Scaler.

The ez-SHV+ does more than just converting. Through its 2.7 inch TFT-LCD, it displays the video input.

The display also shows an eye pattern for video quality monitoring, the resolution of incoming video and approximate cable length relative to the quality of the video.

Features

① Inputs & outputs

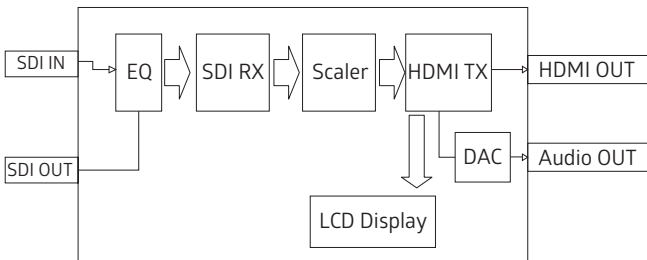
Input:	1 x SD/HD/3G-SDI (BNC 75Ω)
Output:	1 x SD/HD/3G HDMI (Type A)
	1 x SD/HD/3G-SDI loop (BNC 75Ω)
	1 x Analog audio stereo

② Supports SD/HD/3G

③ TFT-LCD Display (2.7 inch)

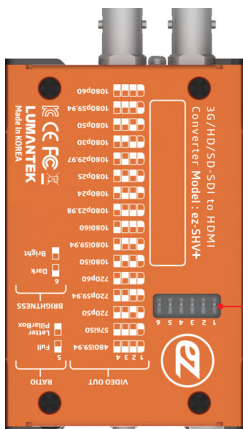
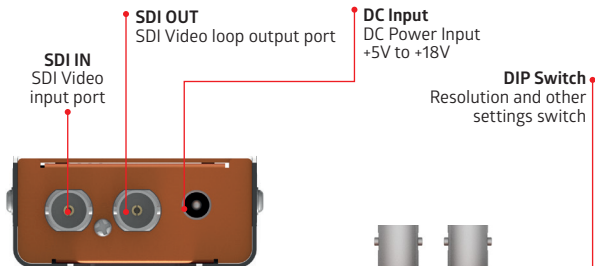
④ Push switch for mode change

Diagram



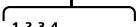
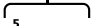
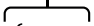
02. Interface

Specifications



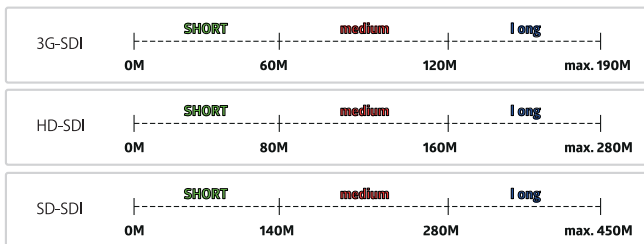
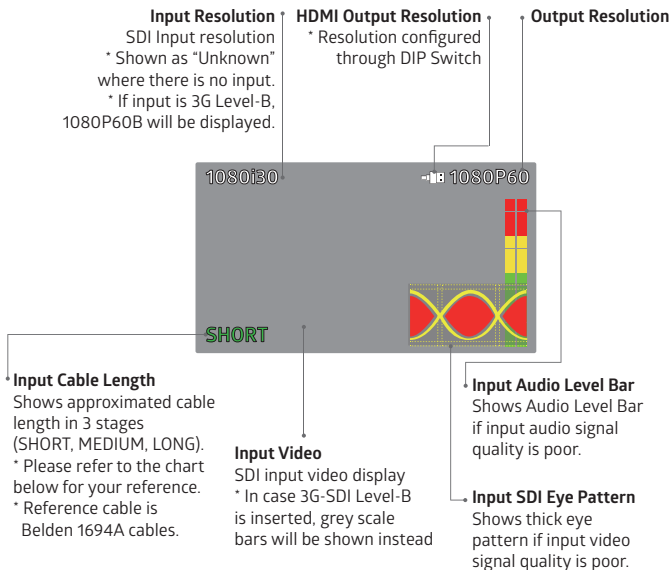
02. Interface

DIP Switch Settings

<p>VIDEO OUT</p> <p>1 2 3 4</p>  <ul style="list-style-type: none">480i59.94576i50720p50720p59.94720p601080i501080i59.941080i601080p23.981080p241080p251080p29.971080p301080p501080p59.941080p60	<p>VIDEO OUT : Video output resolution (Position 1, 2, 3, 4)</p> <ul style="list-style-type: none">- 720x480i@59.94 (DIP SW : 1111)- 720x576i@50 (DIP SW : 0111)- 1280x720p@50 (DIP SW : 1011)- 1280x720p@59.94 (DIP SW : 0011)- 1280x720p@60 (DIP SW : 1101)- 1920x1080i@50 (DIP SW : 0101)- 1920x1080i@59.94 (DIP SW : 1001)- 1920x1080i@60 (DIP SW : 0001)- 1920x1080p@23.98 (DIP SW : 1110)- 1920x1080p@24 (DIP SW : 0110)- 1920x1080p@25 (DIP SW : 1010)- 1920x1080p@29.97 (DIP SW : 0010)- 1920x1080p@30 (DIP SW : 1100)- 1920x1080p@50 (DIP SW : 0100)- 1920x1080p@59.94 (DIP SW : 1000)- 1920x1080p@60 (DIP SW : 0000)
<p>RATIO</p> <p>5</p>  <ul style="list-style-type: none">FullLetter PillarBox	<p>RATIO : Video output screen ratio (Position 5)</p> <ul style="list-style-type: none">- FULL 16:9 (DIP SW : 1)- Latter 4:3 or Pillar Box (DIP SW : 0)
<p>BRIGHTNESS</p> <p>6</p>  <ul style="list-style-type: none">DarkBright	<p>BRIGHTNESS : LCD brightness (Position 6)</p> <ul style="list-style-type: none">- Dark (DIP SW : 1)- Bright (DIP SW : 0)

02. Interface

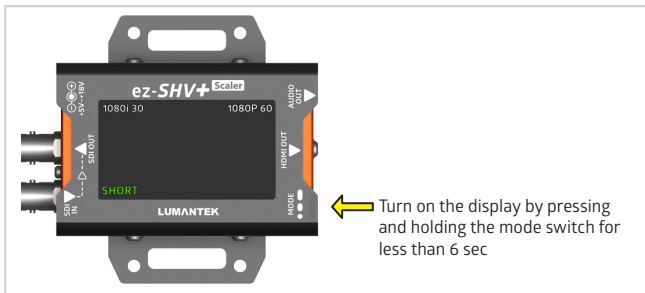
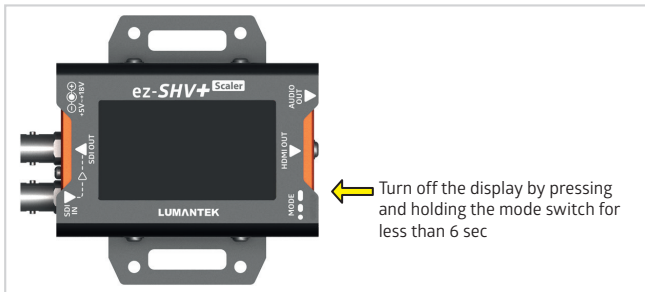
LCD Displays



02. Interface

LCD Displays

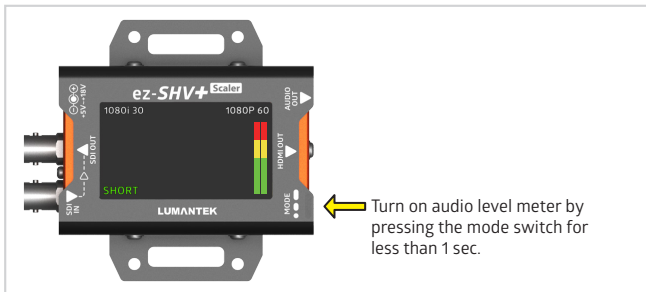
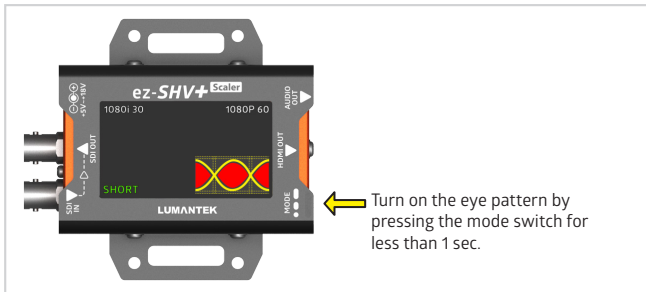
① LCD Display ON/ OFF



02. Interface

LCD Displays

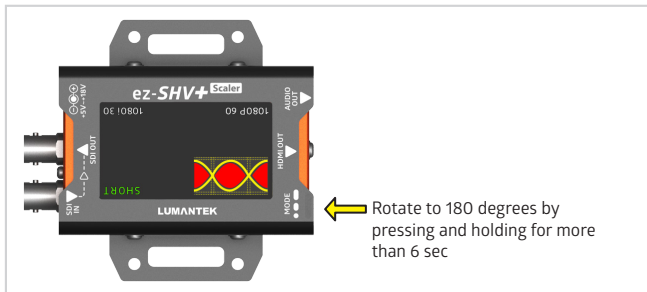
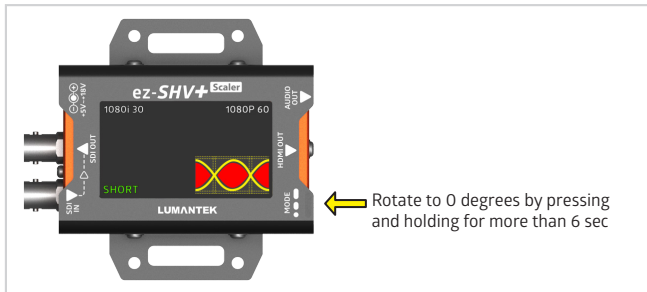
② SDI input eye pattern or audio level meter



02. Interface

LCD Displays

③ LCD monitor rotation (by 0 or 180 degrees)




02. Interface

LCD Displays

④ ON/OFF HDMI mirrored output for teleprompter

HDMI Output




Please TURN OFF the LCD Display first. TURN ON the mirrored output application by pressing the mode switch for more than 6 seconds while the LCD OFF.

- *Please refer to page 9 for the LCD Display ON/OFF
- *Supports only HD resolutions

The image shows a LUMATEK ez-SHV+ LCD display connected to a monitor. The monitor displays a mirrored image of a group of people, indicating that the mirrored output application is active.

HDMI Output



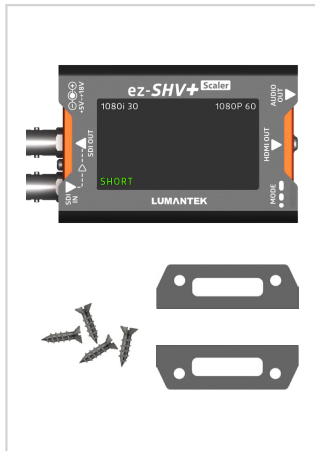
Please TURN OFF the LCD Display first. TURN OFF the mirrored output application by pressing the mode switch for more than 6 seconds while the LCD OFF.

- *Please refer to page 9 for the LCD Display ON/OFF
- *Supports only HD resolutions

The image shows the same LUMATEK ez-SHV+ LCD display connected to a monitor. The monitor displays a normal image of a group of people, indicating that the mirrored output application is turned off.

03. Product Configuration

ez-SHV+



AC to DC adapter



04. Technical Specifications

Data Input

SDI Video Input : SD/HD/3G-SDI (BNC 75Ω) x1

Video Formats :

- 720x480i@59.94/60
- 720x576i@50
- 1280x720p@50/59.94/60
- 1920x1080i@50/59.94/60
- 1920x1080p@23.94/24/25/29.97/30
- 1920x1080p@50/59.94/60
(3G-SDI Level-B not supported)

Data Output

SDI LOOP Output : SD/HD/3G-SDI (BNC 75Ω) x1

Audio Output : Stereo Jack x1

HDMI Video Output : SD/HD/3G (HDMI Type A) x1

Video Formats :

- 720x480i@59.94 (DIP SW : 1111)
- 720x576i@50 (DIP SW : 0111)
- 1280x720p@50 (DIP SW : 1011)
- 1280x720p@59.94 (DIP SW : 0011)
- 1280x720p@60 (DIP SW : 1101)
- 1920x1080i@50 (DIP SW : 0101)
- 1920x1080i@59.94 (DIP SW : 1001)
- 1920x1080i@60 (DIP SW : 0001)
- 1920x1080p@23.98 (DIP SW : 1110)
- 1920x1080p@24 (DIP SW : 0110)
- 1920x1080p@25 (DIP SW : 1010)
- 1920x1080p@29.97 (DIP SW : 0010)
- 1920x1080p@30 (DIP SW : 1100)
- 1920x1080p@50 (DIP SW : 0100)
- 1920x1080p@59.94 (DIP SW : 1000)
- 1920x1080p@60 (DIP SW : 0000)

Connections

Power : DC Power Input (DC Jack) x1

DIP Switch : (6 Pole) x1 Video In/Out

Resolution, Video Output Ratio, LCD Brightness

MODE : (Push Switch) x1 LCD ON/OFF,

Menu Selection

Display

2.7 inch TFT LCD : Input Video Display, Input SDI Eye Pattern, In/Output Video Resolution Display, Input Cable Length, Audio Level Meter

Electrical

Power Input : DC +5V to +18V

Power Consumption : 3W(max.)

Operation Temperature : 0~45°C

Physical

Dimension : 86.3x57.2x26.6 (mm)(include connector)

Weight : 0.3 kg (0.66lbs)

LUMANTEK

CUSTOMER SERVICES

gs@lumantek.com

TEL(Dir) : +82-2-6947-7429

FAX: +82-2-6947-7440